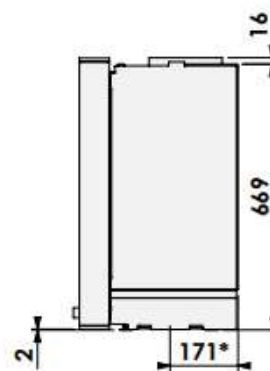
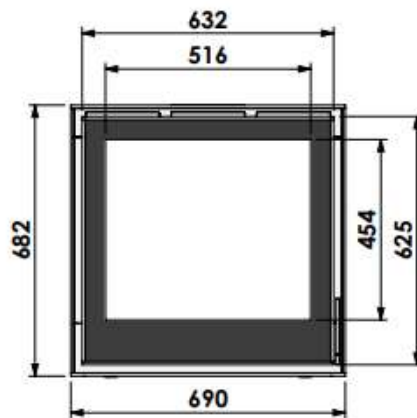
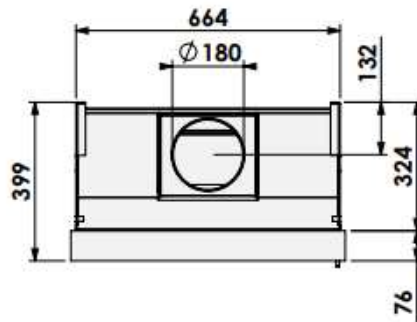




HUIS & HAARD

haarden & kachels



inbouw/opbouw kader
built-in/surface-mounted frame

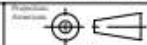
* = air inlet \varnothing 125 mm

barbas

Barbas Bellfires B.V.
Hallenstraat 17
5531 AB Bladel
The Netherlands
www.barbasbellfires.com

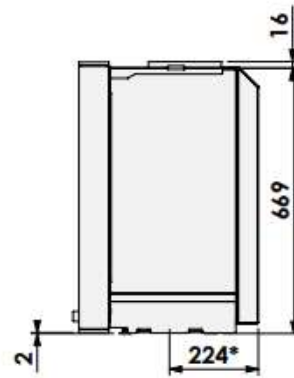
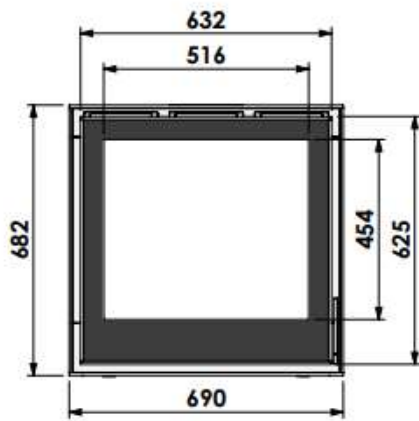
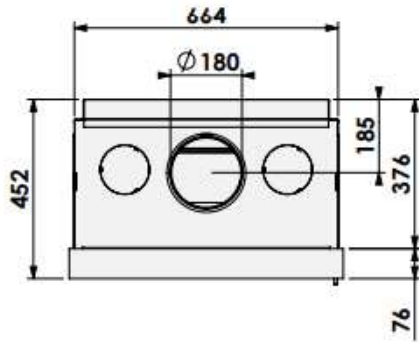
Cuatro-7 compact 70

Modifications reserved



1:15
mm

0



inbouw/opbouw kader, convectie
 built-in/surface-mounted frame, convection casing

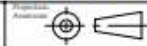
* = air inlet \varnothing 125 mm

barbas

Barbas Bellfires B.V.
 Hallenstraat 17
 5531 AB Bladel
 The Netherlands
 www.barbasbellfires.com

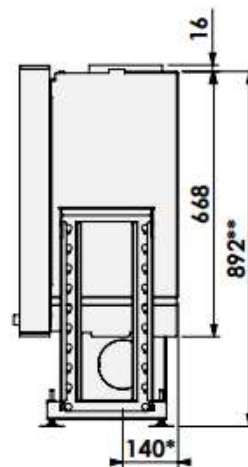
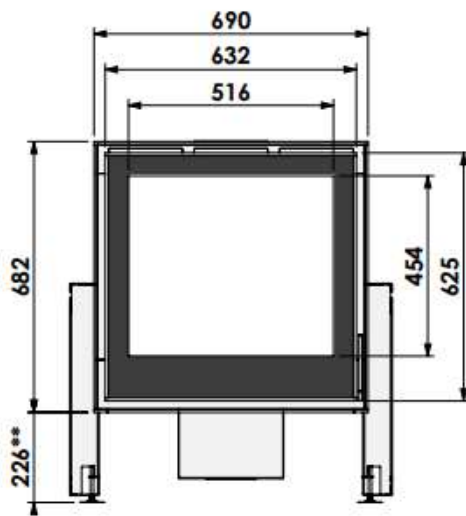
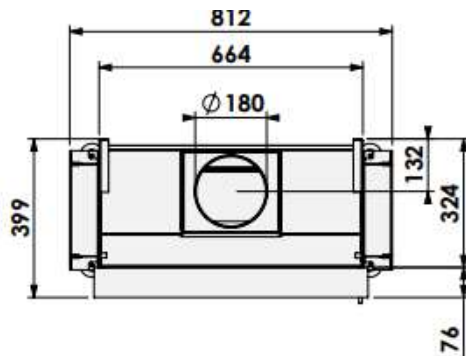
Cuatro-7 compact 70

Modifications reserved



1:15
 mm

0



inbouw/opbouw kader, luchtbox
 built-in/surface-mounted frame, airbox

* = optional air inlet \varnothing 125 mm

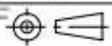
** = optional extended adjustable legs, max +150 mm

barbas

Barbas Bellfires B.V.
 Hallenstraat 17
 5531 AB Bladel
 The Netherlands
 www.barbasbellfires.com

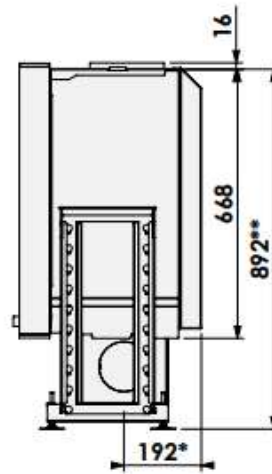
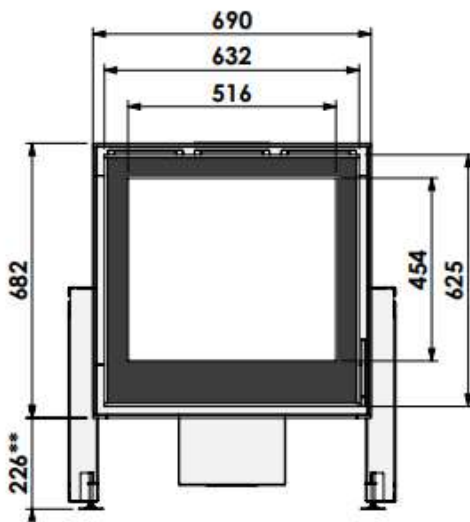
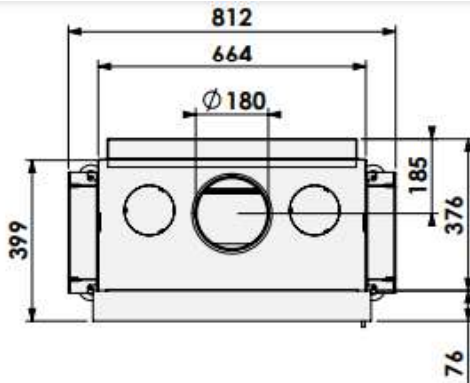
Cuatro-7 compact 70

Modifications reserved



Scale: 1:15
 Unit: mm

Page: 0



inbouw/opbouw kader, luchtbox, convectie
 built-in/surface-mounted frame, airbox, convection casing

* = optional air inlet \varnothing 125 mm

** = optional extended adjustable legs, max +150 mm

barbas ■ Barbas Bellfires B.V.
 Hallenstraat 17
 5531 AB Bladel
 The Netherlands
 www.barbasbellfires.com

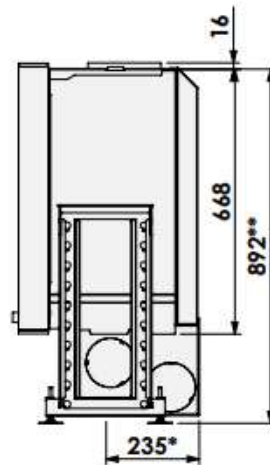
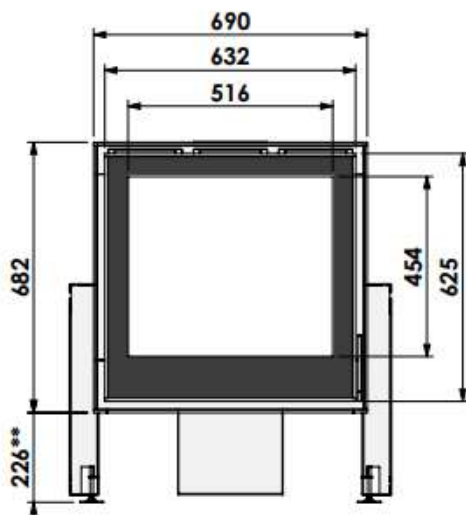
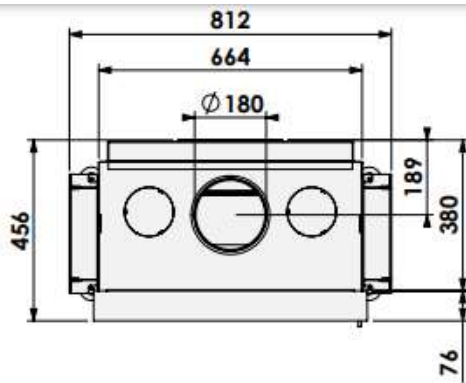
Cuatro-7 compact 70

Modifications reserved



Scale: 1:15
 Unit: mm

Page: 0



inbouw/opbouw kader, Opti-Air en/of ventilator
 built-in/surface-mounted frame, Opti-Air and/or fan

* = optional air inlet \varnothing 125 mm

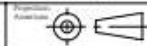
** = optional extended adjustable legs, max +150 mm

barbas

Barbas Bellfires B.V.
 Hallenstraat 17
 5531 AB Bladel
 The Netherlands
 www.barbasbellfires.com

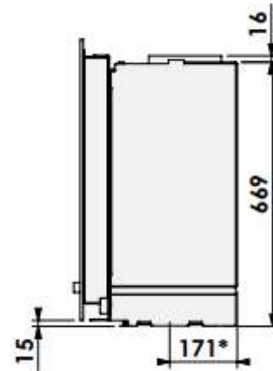
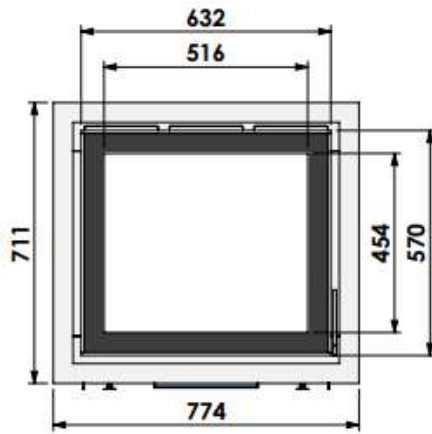
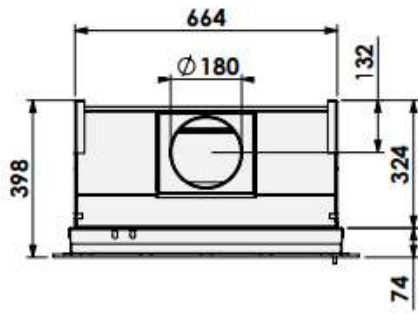
Cuatro-7 compact 70

Modifications reserved



Scale: 1:15
 Unit: mm

0



klassiek kader
classic frame

* = air inlet \varnothing 125 mm

barbas.

Barbas Bellfires B.V.
Hallenstraat 17
5531 AB Bladel
The Netherlands
www.barbasbellfires.com

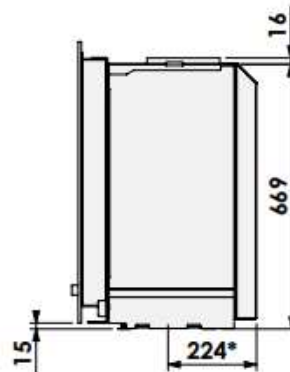
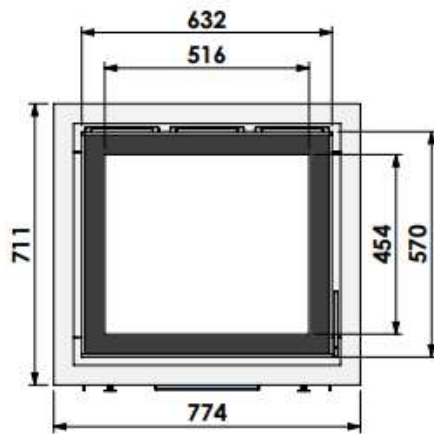
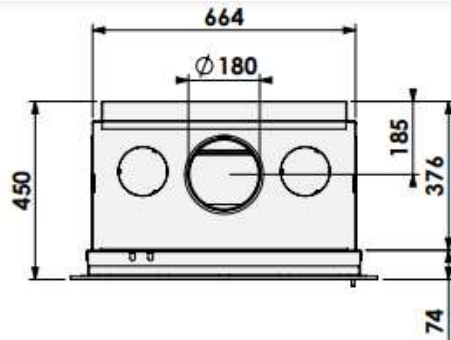
Cuatro-7 compact 70

Modifications reserved



Scale: 1:15
Unit: mm

Revision: 0



klassiek kader, convectie
 classic frame, convection casing

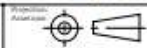
* = air inlet \varnothing 125 mm

barbas

Barbas Bellfires B.V.
 Hallenstraat 17
 5531 AB Bladel
 The Netherlands
 www.barbasbellfires.com

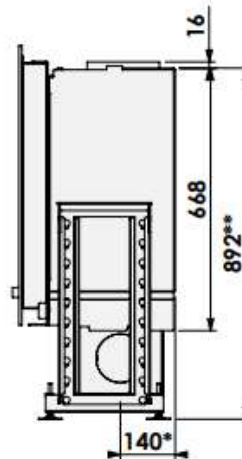
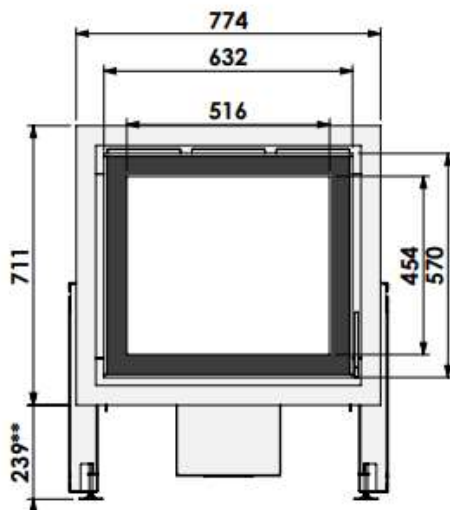
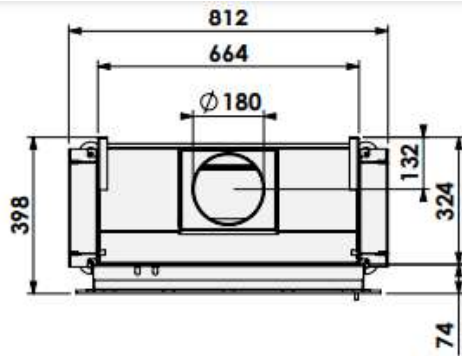
Cuatro-7 compact 70

Modifications reserved



Scale: 1:15
 Unit: mm

Revision: 0



klassiek kader, luchtbox
 classic frame, airbox

* = optional air inlet \varnothing 125 mm

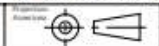
** = optional extended adjustable legs, max +150 mm

barbas.

Barbas Bellfires B.V.
 Hallenstraat 17
 5531 AB Bladel
 The Netherlands
 www.barbasbellfires.com

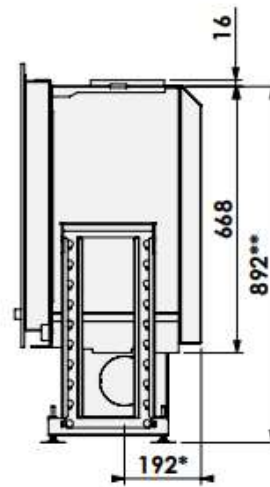
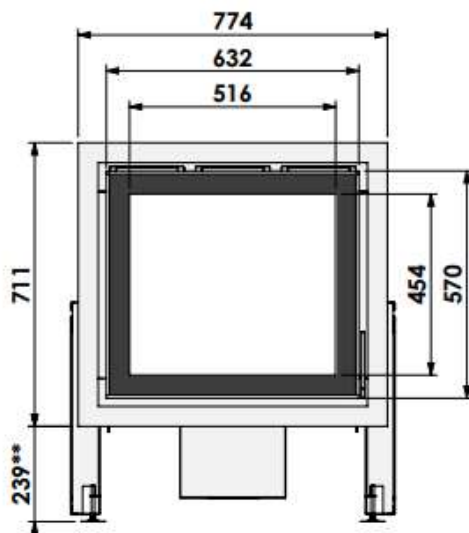
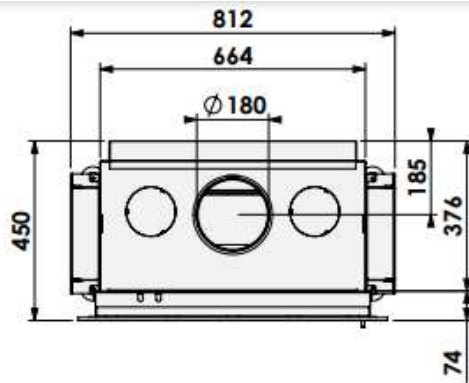
Cuatro-7 compact 70

Modifications reserved



1:15
 mm

0



klassiek kader, luchtbox, convectie
 classic frame, airbox, convection casing

* = optional air inlet \varnothing 125 mm

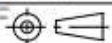
** = optional extended adjustable legs, max +150 mm

barbas

Barbas Bellfires B.V.
 Hallenstraat 17
 5531 AB Bladel
 The Netherlands
 www.barbasbellfires.com

Cuatro-7 compact 70

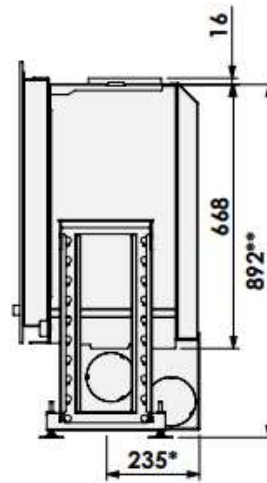
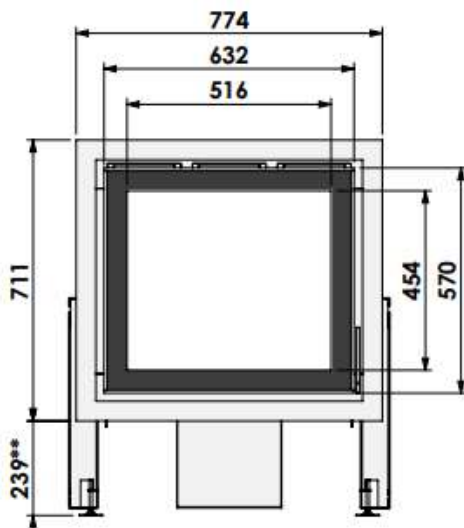
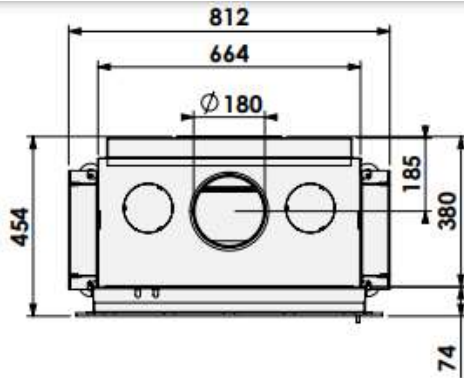
Modifications reserved



1:15

mm

0



klassiek kader, Opti-Air en/of ventilator
 classic frame, Opti-Air and/or fan

* = optional air inlet \varnothing 125 mm

** = optional extended adjustable legs, max +150 mm

barbas

Barbas Bellfires B.V.
 Hallenstraat 17
 5531 AB Bladel
 The Netherlands
 www.barbasbellfires.com

Cuatro-7 compact 70

Modifications reserved



1:15
 mm

0