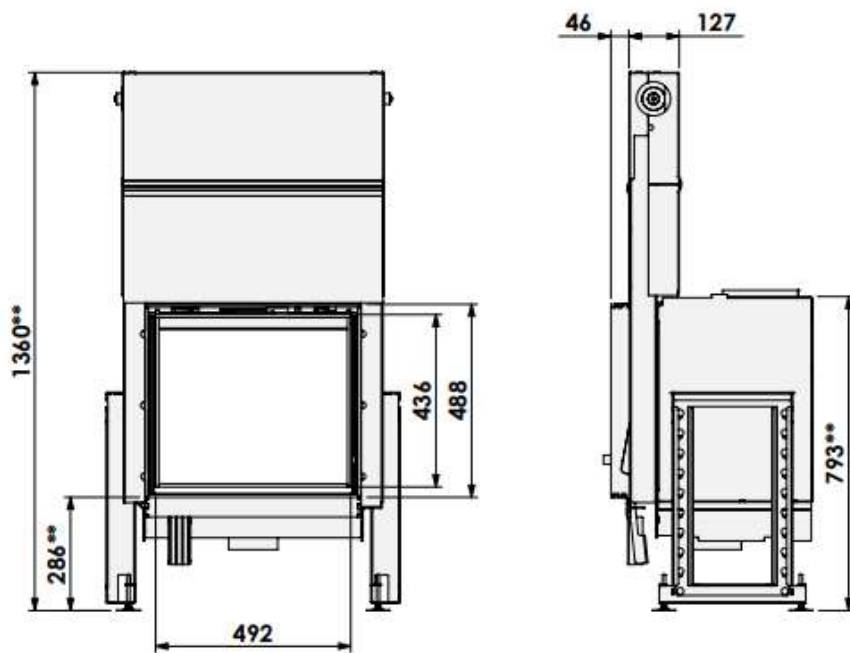
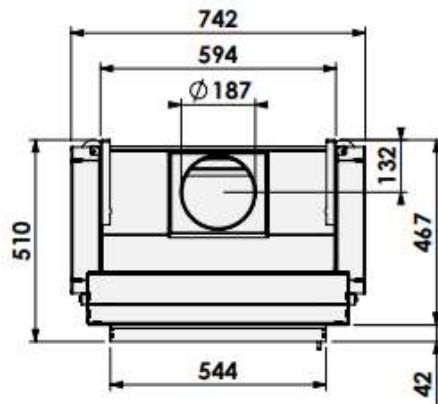




HUIS & HAARD

haarden & kachels



* = optional air inlet $\varnothing 125$ mm

** = optional extended adjustable legs, max +150 mm

barbas.

Barbas Bellfires B.V.
Hallenstraat 17
5531 AB Bladel
The Netherlands
www.barbasbellfires.com

Evo-7 50-40

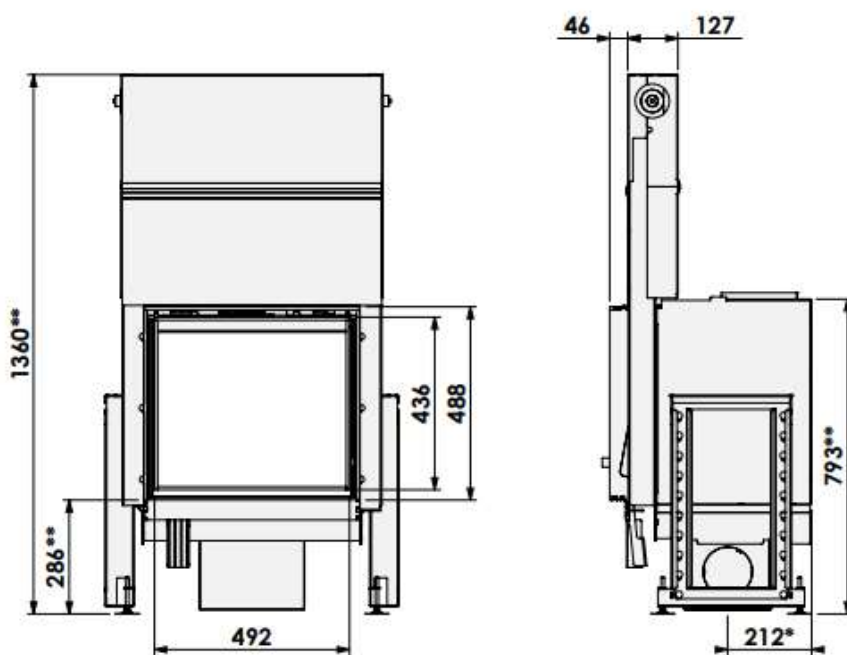
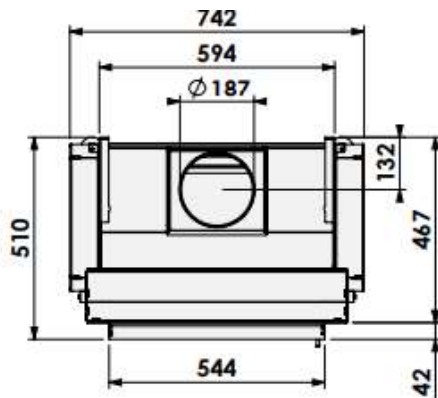
Modifications reserved



1:15

mm

0



luchtbox
airbox

* = optional air inlet \varnothing 125 mm

** = optional extended adjustable legs, max +150 mm

barbas

Barbas Bellfires B.V.
Hallenstraat 17
5531 AB Bladel
The Netherlands
www.barbasbellfires.com

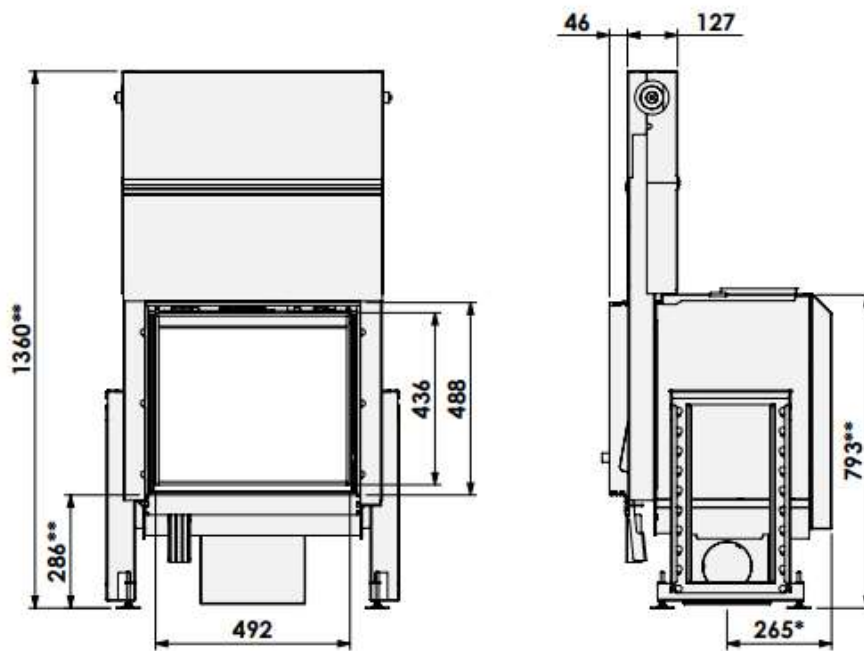
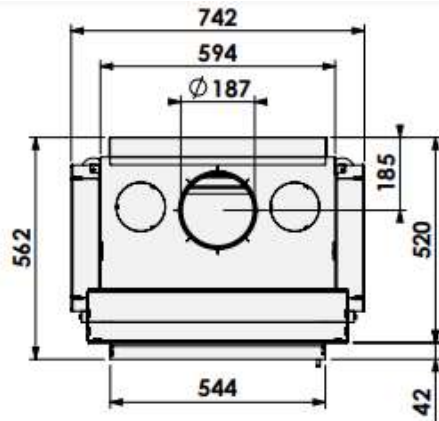
Evo-7 50-40

Modifications reserved



1:15
mm

0



luchtbox, convectie
airbox, convection casing

* = optional air inlet \varnothing 125 mm

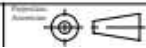
** = optional extended adjustable legs, max +150 mm

barbas.

Barbas Bellfires B.V.
Hallenstraat 17
5531 AB Bladel
The Netherlands
www.barbasbellfires.com

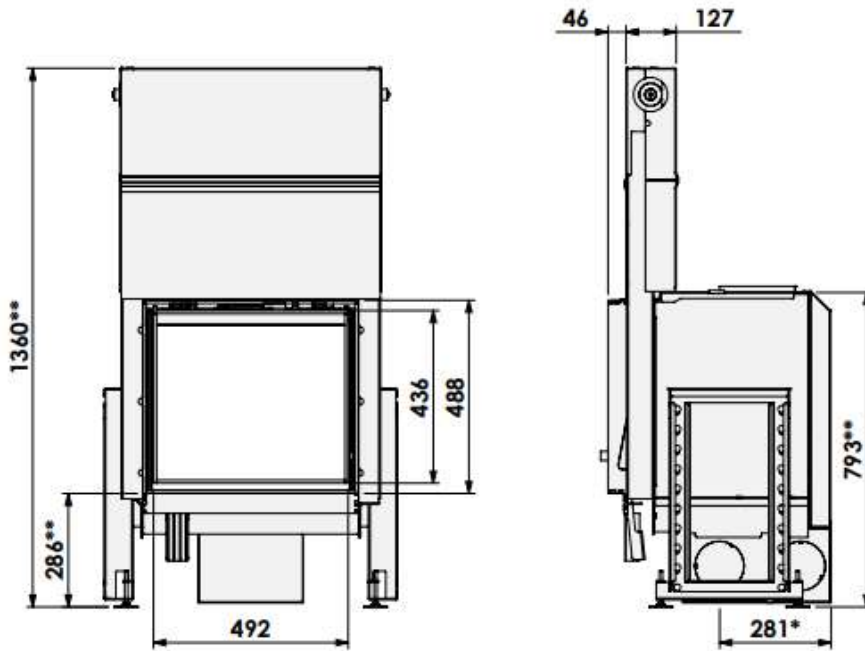
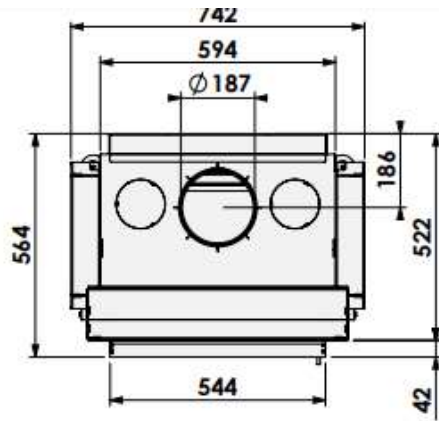
Evo-7 50-40

Modifications reserved



1:15
mm

0



Opti-Air en/of ventilator
Opti-Air and/or fan

* = optional air inlet \varnothing 125 mm

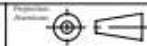
** = optional extended adjustable legs, max +150 mm

barbas

Barbas Bellfires B.V.
Hallenstraat 17
5531 AB Bladel
The Netherlands
www.barbasbellfires.com

Evo-7 50-40

Modifications reserved



1:15
mm

0