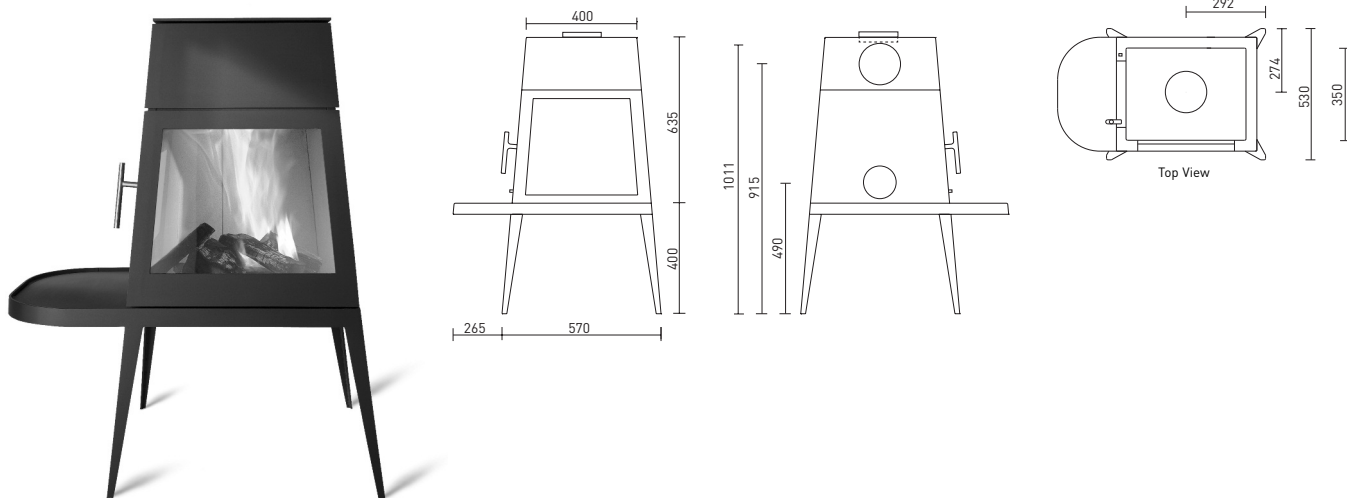


model shaker

Chimney stove for solid fuels (split logs).

Shared chimney flues admissible. This stove is not a low burning stove.

European Standard EN 13240 / Test Report N°: RRF - 40 08 1772 | Test Centre ID: 1625



technical data (last updated: September 15, 2011)

Min. distance from inflammable component parts:

Sides:.....	30 cm
Rear:.....	20 cm
Front:.....	80 cm

The following values were determined under test conditions:

CO emission in %:.....	0,10
Average feed pressure in Pa:	12
Nominal thermal output in kW:.....	7
Room heat output in kW:.....	3,1 - 7,1
Room heat output in m³:	111 - 254
Energy efficiency in %:.....	78,8
NOx in mg/Nm³:.....	108
Dust mg/Nm³:	13
Operation with closed fire box (construction type 1):	Yes
Waste gas mass flow rate in g/s:	9,3
Average CO ₂ content in %:	8,30
Average CO content in mg/Nm³:.....	1250
Waste gas connection piece temperature in °C:.....	290

Weight and dimensions:

Weight of fireplace in kg (steel *without bench / stone / tiles):	112* / - / -
Stove dimensions in mm (height / width / depth):.....	1035 / 835 / 530
Fire box dimensions in mm (height / width / depth):	348 / 395 / 305
Fire box opening dimensions in cm²:	1375
Pipe diameter (waste smoke) in mm:	150
Flue connection piece, top and rear (t / r):.....	t / r
Fresh air connection piece diameter in mm:.....	100
Combustion air connection, rear and bottom (r / b):.....	r / -



_Installation: It is imperative that the chimney stove be installed in strict conformity with any prevailing national and European standards as well as any applicable local regulations. Please contact your local chimney sweep prior to installing your chimney stove.

_Installation of chimney stove: Make sure that the floor's carrying capacity is sufficiently high. In case of inadequate carrying capacity, suitable adjusting measures (e.g. plate for load distribution) are to be taken.

_Cleaning: Make sure to clean your chimney stove at regular intervals. Also make sure to clean the connection pieces and flues at least once a year and to apply a heat resistant copper paste on all moving parts such as hinges at least once a year, too. Use a damp cloth and clear water to clean window glasses. Contact your local chimney sweeper for professional cleaning of your chimney at regular intervals.

_Ventilation of room and chimney stove: Please ensure sufficient ventilation of the room. Never close air supply openings or convection shafts of the stove.

For detailed information please consult our General Installation & Operation Manual!

Declaration of Conformity

Description of stove | Chimney stove for solid fuels | DIN EN 13240:2001

_7,0 KW nominal heat output

_Connection for external combustion air supply available (rear only)

_Available with short or long bench

_Flue connection possible on top or at rear

_Proper wood stove / not suited for coal briquettes

_Unit does neither have shaking grate nor ash box and therefore no primary air, either

_Steel version

Solid Fuel Fireplaces | Directive Mandate 89.106.EEC

Manufacturer: skantherm wagner gmbh & co. kg

Address: P.O.Box 3265 Zip Code: 59281 City: Oelde

Country: (Abbreviation) D (in full) Federal Republic of Germany

If the Declaration of Conformity is issued by an authorized representative domiciled in the EEA (European Economic Area):

Authorised Representative: Mr Benedikt Wagner

Address: Von-Büren-Allee 16 Zip Code: 59302 City: Oelde

Country: (Abbreviation) D (in full) Federal Republic of Germany

If the involvement of a notified body is required:

Name: Rhein-Ruhr-Feuerstättenprüfstelle GmbH ID N°: 1625

Address: Am Technologiepark 1 Zip Code: 45307 City: Essen

Country: (Abbreviation) D (in full) Federal Republic of Germany

I declare on my own and sole responsibility that the herein described fireplace conforms to all applicable and basic requirements for which present EC test report has been issued.

Name: Benedikt Wagner

(identification of person authorized to legally sign on behalf of manufacturer or his duly authorized representative)

Signature and Title:

(or equivalent signature)

B. Wagner
Managing Director
Date: (DD/MM/YY) 14/05/09